



GVS

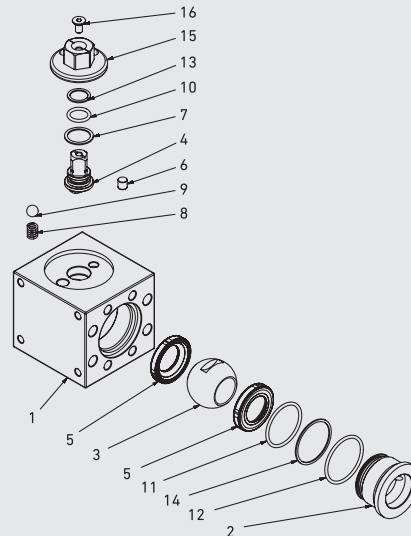
2-WAY HIGH PRESSURE BALL VALVES

Edition. 21.1

CS Carbon Steel

- Type: ball valve 2 way
- Sizes: from DN13 up to DN40
- Ends: ISO6162-1/-2 (SAE J518)
- O-Rings: NBR, FKM, EPDM, MVQ
- Pressure: up to PN420 / S3000-S6000
- Temp range: -20°C to +100°C
- Treatment: Galvanized

STANDARD COMPOSITION OF VALVE



POS	DESCRIPTION	Q.TY	MATERIAL
1	Body	1	1,0737
2	Closure	1	1,0737
3	Ball	1	1,0737
4	Stem	1	1,0737
5	Ball seat	2	POM
6	Pin	1	1,0737
7	Stem ring	1	POM
8	Spring UNI17223-1	1	1,0116
9	Spring ball	1	1,0116
10	Stem o-ring	1	FKM
11	Adapter o-ring	1	FKM
12	Washer	1	1,0737
13	Screw	1	DIN 7991 8.8

CS

Carbon Steel



CODE DESCRIPTION STRUCTURE

GVS **G1/2** **DN13** **1** **1** **1** **1** **A** **B**

Type and way of valve _____

GVS

Ends _____

ISO6162-
1/-2
(SAE J518)

S3000
S6000

Size _____

DN13
DN20
DN25
DN32
DN40

Body Material _____

● 1 = 1,0737

Adapter material _____

● 1 = 1,0737

Stem material _____

● 1 = 1,0737

Ball Material _____

● 1 = 1,0737

Ball seat material _____

A = POM D = PEEK* K = GEMPTFE* C = PTFE*

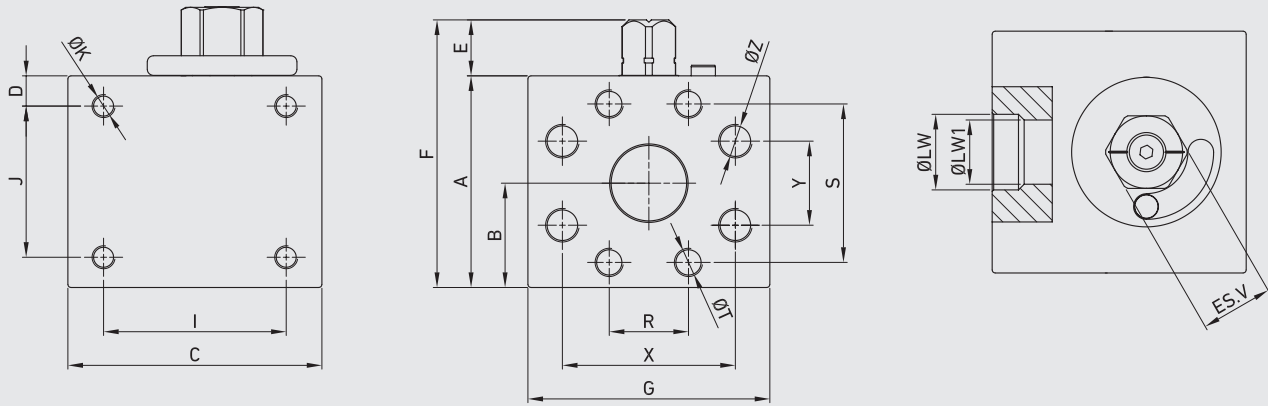
Adapter and stem seal material _____

E = FKM B = NBR F = EPDM* L = MVQ*

*On request

- Reduced bore
- Special threads
- Locking device
- Pressure class up to PN6000 Psi

For further special requests please consult our technical/commercial service.



GVS ISO6162-1/-2 (SAE J518)

CS
Carbon Steel

TYPE	DN	PN	A	B	C	D	E	ES.V	F	G	I	J	ØK	S3000 ISO6162-1			S6000 ISO6162-2			ØLW	ØLW1	WEIGHT	ITEM CODE
														R	S	ØT	X	Y	ØZ				
GVS 1/2	13	MPa 42	mm 50	24,7	68	6	14,1	19	62,1	55	56	38,6	M8	17,5	38,1	M8	40,5	18,2	M8	13	13	kg 1,312	GV2FFT3G011B000
		Psi 6090	inch 1,97	0,97	2,68	0,24	0,56	0,75	2,44	2,17	2,20	1,52	M8	0,69	1,50	M8	1,59	0,72	M8	0,51	0,51	lb 2,89	
GVS 3/4	20	MPa 42	mm 65	31,4	84	7,5	18,5	24	81,5	65	60	50	M8	22,2	47,6	M10	50,8	23,8	M10	20	20	kg 2,5	GV2FFT4G011B000
		Psi 6090	inch 2,56	1,24	3,31	0,30	0,73	0,94	3,21	2,56	2,36	1,97	M8	0,87	1,87	M10	2,00	0,94	M10	0,79	0,79	lb 5,51	
GVS 1	25	MPa 42	mm 70	34,5	84	10	18,5	24	88,5	80	60,4	50	M8	26,2	52,4	M10	57,2	27,8	M12	25	25	kg 3,151	GV2FFT5G011B000
		Psi 6090	inch 2,76	1,36	3,31	0,39	0,73	0,94	3,48	3,15	2,38	1,97	M8	1,03	2,06	M10	2,25	1,09	M12	0,98	0,98	lb 6,95	
GVS 1 1/4 R	32	MPa 42	mm 80	40,5	89	7,5	18,5	24	94,5	85	70	60	M8	30,2	58,7	M10	66,7	31,8	M12	32	25	kg 4,125	GV2FFR6G011B000
		Psi 6090	inch 3,15	1,59	3,50	0,30	0,73	0,94	3,72	3,35	2,76	2,36	M8	1,19	2,31	M10	2,63	1,25	M12	1,26	0,98	lb 9,09	
GVS 1 1/2 R	40	MPa 42	mm 100	53,5	100	8	18,5	30	118,5	100	87	84	M8	35,7	69,9	M12	79,4	36,5	M16	40	32	kg 6,628	GV2FFR0G011B000
		Psi 6090	inch 3,94	2,11	3,94	0,31	0,73	1,18	4,67	3,94	3,43	3,31	M8	1,41	2,75	M12	3,13	1,44	M16	1,57	1,26	lb 14,61	