



# BD

## FLOW CONTROL B-DIRECTIONAL

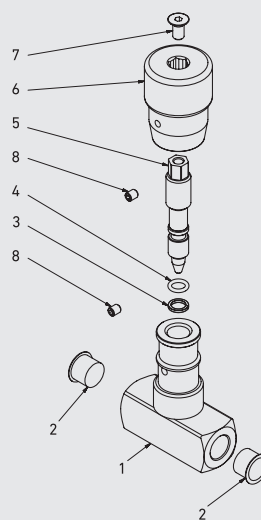
Edition. 21.3

### CS Carbon Steel

- Type: reduce flow control B-directional
- Sizes: from DN6 up to DN40
- Ends: BSP-NPT
- Pressure: up to PN400
- Temp range: from -20°C to +100°C
- Treatment: Galvanized



### STANDARD COMPOSITION OF VALVE



POS	DESCRIPTION	Q.TY	CS Carbon Steel MATERIAL
1	Body	1	1,0737
2	Caps	2	PVC
3	Stem	1	1,05
4	Stem o-ring	1	NBR
5	Stem ring	1	PTFE
6	Handle	1	ALLUMINIUM
7	Screw	1	DIN 7991 8.8
8	Screw	1	DIN 7991 8.8



**CRACKING PRESSURE**  
**0,50 bar**

**CODE DESCRIPTION STRUCTURE**

**BD** | **G1/2** | **CS**

**Type and way of valve**

BD flow control

**Ends**

GAS DIN/ NPT ANSI  
ISO 228 /ASME  
BSP B1.20.1

G 1/4	N 1/4
G 3/8	N 3/8
G 1/2	N 1/2
G 3/4	N 3/4
G 1	N 1
G 1 1/4	N 1 1/4
G 1 1/2	N 1 1/2

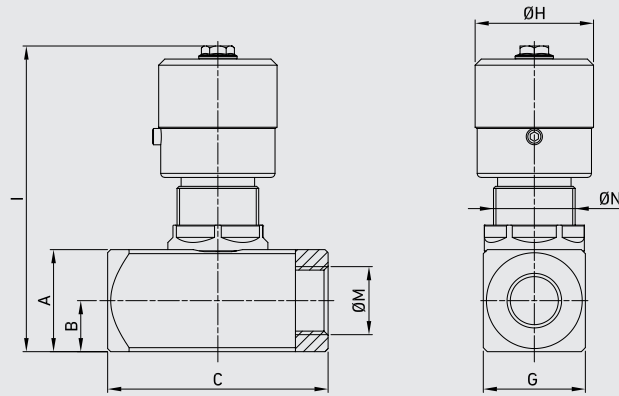
**Material**

CS carbon steel

**\*On request**

- Special threads
- Pressure class PN 350

*For further special requests please consult our technical/commercial service.*


**BD DIN/ISO 228 BSP**

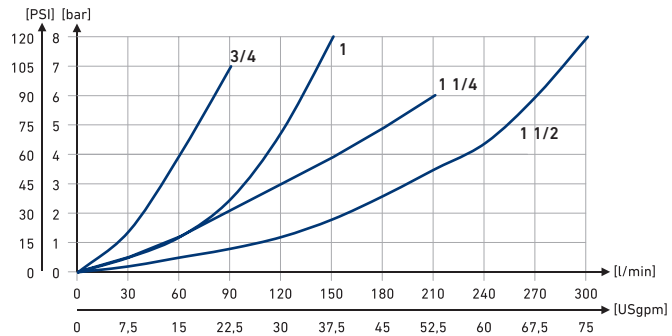
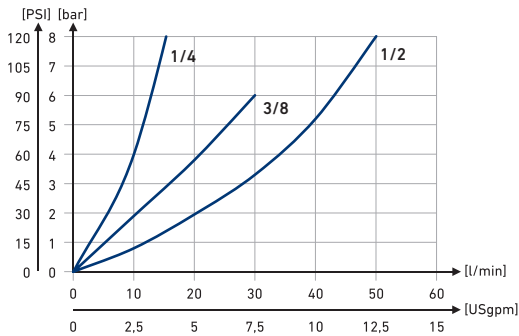
Carbon Steel

TYPE	DN	PN	MAX FLOW L/m	CRACKING PRESSURE	A	B	C	G	ØH	I	ØM	ØN	WEIGHT	ITEM CODE
BD G 1/4	6	MPa 40	25	MPa 0,05	mm 25	12,5	54	25	30	76	G 1/4	M20X1	kg 0,3	GG2GGT130110000
		Psi 5800		Psi 7,25	inch 0,98	0,49	2,13	0,98	1,18	2,99			lb 0,66	
BD G 3/8	10	MPa 40	35	MPa 0,05	mm 25	12,5	54	25	30	76	G 3/8	M20X1	kg 0,31	GG2GGT230110000
		Psi 5800		Psi 7,25	inch 0,98	0,49	2,13	0,98	1,18	2,99			lb 0,68	
BD G 1/2	13	MPa 40	50	MPa 0,05	mm 30	15	58	30	30	81	G 1/2	M20X1	kg 0,5	GG2GGT330110000
		Psi 5800		Psi 7,25	inch 1,18	0,59	2,28	1,18	1,18	3,19			lb 1,10	
BD G 3/4	20	MPa 40	90	MPa 0,05	mm 40	20	81	40	38	110	G 3/4	M35X1.5	kg 1,1	GG2GGT430110000
		Psi 5800		Psi 7,25	inch 1,57	0,79	3,19	1,57	1,50	4,33			lb 2,43	
BD G 1	25	MPa 40	150	MPa 0,05	mm 45	22,5	102	45	38	114	G 1	M35X1.5	kg 1,5	GG2GGT530110000
		Psi 5800		Psi 7,25	inch 1,77	0,89	4,02	1,77	1,50	4,49			lb 3,31	
BD G 1 1/4	32	MPa 35	200	MPa 0,05	mm 55	27,5	102	55	50	137	G 1 1/4	M45X1.5	kg 2,4	GG2GGT630110000
		Psi 5075		Psi 7,25	inch 2,17	1,08	4,02	2,17	1,97	5,39			lb 5,29	
BD G 1 1/2	40	MPa 35	300	MPa 0,05	mm 65	32,5	102	65	50	147	G 1 1/2	M45X1.5	kg 3	GG2GGT730110000
		Psi 5075		Psi 7,25	inch 2,56	1,28	4,02	2,56	1,97	5,79			lb 6,61	

**BD ANSI/ASME B1.20.1 NPT**

 CS  
Carbon Steel

TYPE	DN	PN	MAX FLOW L/m	CRACKING PRESSURE	A	B	C	G	ØH	I	ØM	ØN	WEIGHT	ITEM CODE
BD N 1/4	6	MPa 40	25	MPa 0,05	mm 25	12,5	54	25	30	76	N 1/4	M20X1	kg 0,33	GG2NNT130110000
		Psi 5800		Psi 7,25	inch 0,98	0,49	2,13	0,98	1,18	2,99			lb 0,73	
BD N 3/8	10	MPa 40	35	MPa 0,05	mm 25	12,5	54	25	30	76	N 3/8	M20X1	kg 0,31	GG2NNT230110000
		Psi 5800		Psi 7,25	inch 0,98	0,49	2,13	0,98	1,18	2,99			lb 0,68	
BD N 1/2	13	MPa 40	50	MPa 0,05	mm 30	15	64	30	30	81	N 1/2	M20X1	kg 0,5	GG2NNT330110000
		Psi 5800		Psi 7,25	inch 1,18	0,59	2,52	1,18	1,18	3,19			lb 1,10	
BD N 3/4	20	MPa 40	90	MPa 0,05	mm 40	20	81	40	38	110	N 3/4	M35X1,5	kg 1,1	GG2NNT430110000
		Psi 5800		Psi 7,25	inch 1,57	0,79	3,19	1,57	1,50	4,33			lb 2,43	
BD N 1	25	MPa 40	150	MPa 0,05	mm 45	22,5	102	45	38	114	N 1	M35X1,5	kg 1,5	GG2NNT530110000
		Psi 5800		Psi 7,25	inch 1,77	0,89	4,02	1,77	1,50	4,49			lb 3,31	
BD N 1 1/4	32	MPa 35	200	MPa 0,05	mm 55	27,5	102	55	50	137	N 1 1/4	M45X1,5	kg 2,4	GG2NNT630110000
		Psi 5075		Psi 7,25	inch 2,17	1,08	4,02	2,17	1,97	5,39			lb 5,29	
BD N 1 1/2	40	MPa 35	300	MPa 0,05	mm 65	32,5	102	65	50	147	N 1 1/2	M45X1,5	kg 3	GG2NNT730110000
		Psi 5075		Psi 7,25	inch 2,56	1,28	4,02	2,56	1,97	5,79			lb 6,61	

**PRESSURE DROP CURVES**

**PANEL MOUNTING KIT**

TYPE	DN	ØD	ØF	T MAX	E	ITEM CODE
LK6-M	mm 6	M20X1	32	2,7	6	FGI200101Z
	inch 1,26		0,24			
LK10-M	mm 10	M20X1	32	3,2	6	FGI200101Z
	inch 1,26		0,24			
LK13-M	mm 13	M20X1	32	2,2	6	FGI200101Z
	inch 1,26		0,24			
LK20-M	mm 20	M35X1,5	52	6,5	8	FGI251501Z
	inch 2,05		0,31			
LK25-M	mm 25	M35X1,5	52	6,6	8	FGI251501Z
	inch 2,05		0,31			

