



# GE2

## 2-WAY HIGH PRESSURE BALL VALVES

Edition. 21.4

### CS Carbon Steel

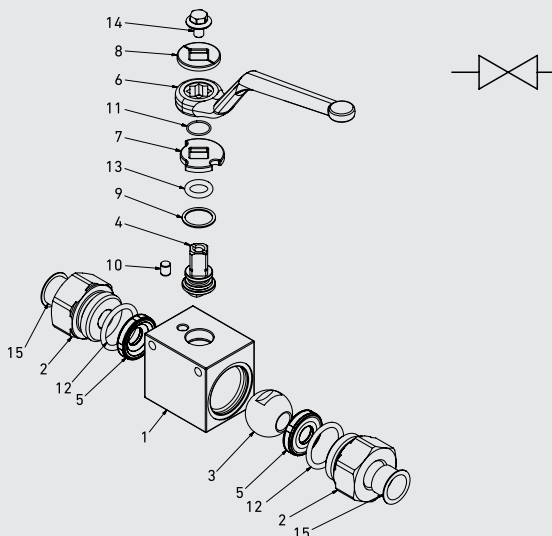
- Type: ball valve 2 way
- Sizes: from DN6 up to DN25
- Ends: BSP-NPT-SAE-DIN
- Pressure: up to PN500
- Temp range: from -20°C to +100°C
- Treatment: Galvanized

### SS Stainless Steel

- Type: ball valve 2 way
- Sizes: from DN6 up to DN25
- Ends: BSP-NPT-SAE-DIN
- Pressure: up to PN500
- Temp range: from -30°C to +100°C

DNV Certified

### STANDARD COMPOSITION OF VALVE



| POS | DESCRIPTION    | Q.TY | CS           | SS              |
|-----|----------------|------|--------------|-----------------|
|     |                |      | Carbon Steel | Stainless Steel |
|     |                |      | MATERIAL     |                 |
| 1   | Body           | 1    | 1,0737       | 1,4404          |
| 2   | Adapter        | 2    | 1,0737       | 1,4404          |
| 3   | Ball           | 1    | 1,0737       | 1,4404          |
| 4   | Stem           | 1    | 1,0737       | 1,4404          |
| 5   | Ball seat      | 2    | POM          | POM             |
| 6   | Handle         | 1    | ZINC         | ZINC            |
| 7   | Washer         | 1    | 1,0116       | 1,4404          |
| 8   | Washer         | 1    | 1,0116       | 1,4404          |
| 9   | Stem ring      | 1    | POM          | POM             |
| 10  | Pin            | 1    | 1,0737       | 1,4404          |
| 11  | Seeger         | 1    | 1,4404       | 1,4404          |
| 12  | Adapter o-ring | 2    | NBR          | NBR             |
| 13  | Stem o-ring    | 1    | NBR          | NBR             |
| 14  | Screw          | 1    | Din 6921 8.8 | Din 6921 A4     |
| 15  | Caps           | 2    | PVC          | PVC             |



**CODE DESCRIPTION STRUCTURE**

|     |       |      |   |   |   |   |   |   |
|-----|-------|------|---|---|---|---|---|---|
| GE2 | G 1/2 | DN13 | 1 | 1 | 1 | 1 | A | B |
|-----|-------|------|---|---|---|---|---|---|

**Type and way of valve**

GE2 2-way

**Ends**

| GAS DIN/<br>ISO 228<br>BSP | NPT ANSI<br>/ASME<br>B1.20.1 | SAE<br>J1926-1 | DIN 2353<br>HEAVY<br>SERIES | DIN 2353<br>LIGHT<br>SERIES |
|----------------------------|------------------------------|----------------|-----------------------------|-----------------------------|
| G 1/4                      | N 1/4                        | SAE4           | 8S                          | 6L                          |
| G 3/8                      | N 3/8                        | SAE6           | 10S                         | 8L                          |
| G 1/2                      | N 1/2                        | SAE8           | 12S                         | 10L                         |
| G 3/4                      | N 3/4                        | SAE12          | 14S                         | 12L                         |
| G 1                        | N 1                          | SAE16          | 16S                         | 15L                         |
| G 1 1/4 R                  | N 1 1/4 R                    | SAE20R         | 20S                         | 18L                         |
| G 1 1/2 R                  | N 1 1/2 R                    | SAE24R         | 25S                         | 22L                         |
|                            |                              |                | 30S                         | 28L                         |
|                            |                              |                | 38S                         | 35L                         |
|                            |                              |                |                             | 42L                         |

**Size**

from DN6 to DN25

**Body Material**

- 1 = 1,0737
- 4 = 1,4404

**Adapter material**

- 1 = 1,0737
- 4 = 1,4404

**Stem material**

- 1 = 1,0737 4 = 1,4404\*
- 4 = 1,4404

**Ball Material**

- 1 = 1,0737 4 = 1,4404\*
- 4 = 1,4404

**Seat material**

A = POM D = PEEK\* G = PA612\* K = GEMPTFE\* C = PTFE\*

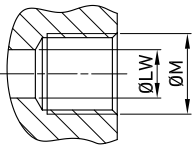
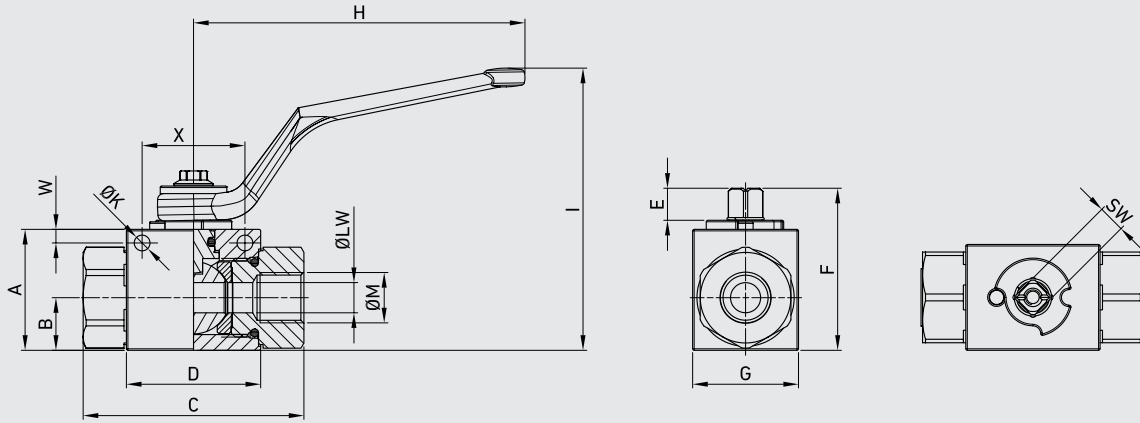
**Seal material**

B = NBR E = FKM\* F = EPDM\* L = MVQ\*

**\*On request**

- Reduced bore
- Special threads
- Pressure class up to PN50 MPa
- Pneumatic and electrical actuator
- Security block
- Locking device
- Fixing holes for SS valves

For further special requests please consult our technical/commercial service.

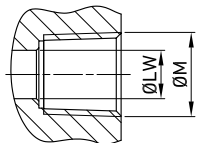


GE2 DIN/ISO 228 BSP

| TYPE          | DN | PN       | A         | B    | C    | D    | E    | F     | G    | H    | I    | ØM      | ØK*  | W*   | X*   | SW   | ØLW  | WEIGHT   | CS              | SS              |  |
|---------------|----|----------|-----------|------|------|------|------|-------|------|------|------|---------|------|------|------|------|------|----------|-----------------|-----------------|--|
|               |    |          |           |      |      |      |      |       |      |      |      |         |      |      |      |      |      |          | Carbon Steel    | Stainless Steel |  |
|               |    |          |           |      |      |      |      |       |      |      |      |         |      |      |      |      |      |          |                 | ITEM CODE       |  |
| GE2 G 1/4     | 6  | MPa 50   | mm 35     | 14,5 | 71   | 42,4 | 11   | 49    | 30   | 110  | 87   | G 1/4   | 5,25 | 4,5  | 34   | 9    | 6    | kg 0,49  | GE2GGT15011A000 | GE2GGT15044A000 |  |
|               |    | Psi 7250 | inch 1,38 | 0,57 | 2,80 | 1,67 | 0,43 | 1,93  | 1,18 | 4,33 | 3,43 |         | 0,21 | 0,18 | 1,34 | 0,35 | 0,24 | lb 1,08  |                 |                 |  |
| GE2 G 3/8     | 10 | MPa 50   | mm 40     | 17,4 | 73   | 44,4 | 11   | 54,25 | 35   | 110  | 93   | G 3/8   | 5,25 | 4,5  | 34   | 9    | 10   | kg 0,644 | GE2GGT25011A000 | GE2GGT25044A000 |  |
|               |    | Psi 7250 | inch 1,57 | 0,69 | 2,87 | 1,75 | 0,43 | 2,14  | 1,38 | 4,33 | 3,66 |         | 0,21 | 0,18 | 1,34 | 0,35 | 0,39 | lb 1,42  |                 |                 |  |
| GE2 G 1/2     | 13 | MPa 50   | mm 43     | 19,7 | 83   | 48,4 | 11   | 57    | 37   | 110  | 97   | G 1/2   | 5,25 | 5    | 36   | 9    | 13   | kg 0,757 | GE2GGT35011A000 | GE2GGT35044A000 |  |
|               |    | Psi 7250 | inch 1,69 | 0,78 | 3,27 | 1,91 | 0,43 | 2,24  | 1,46 | 4,33 | 3,82 |         | 0,21 | 0,20 | 1,42 | 0,35 | 0,51 | lb 1,67  |                 |                 |  |
| GE2 G 3/4     | 20 | MPa 42   | mm 57     | 25,4 | 95   | 62,5 | 14   | 75,5  | 49   | 180  | 105  | G 3/4   | 6,25 | 6    | 50   | 14   | 20   | kg 1,438 | GE2GGT44011A000 | GE2GGT44044A000 |  |
|               |    | Psi 6090 | inch 2,24 | 1,00 | 3,74 | 2,46 | 0,55 | 2,97  | 1,93 | 7,09 | 4,13 |         | 0,25 | 0,24 | 1,97 | 0,55 | 0,79 | lb 3,17  |                 |                 |  |
| GE2 G 1       | 25 | MPa 42   | mm 65     | 29,5 | 112  | 66,5 | 14   | 83,5  | 55   | 180  | 113  | G 1     | 6,25 | 6    | 50   | 14   | 25   | kg 2,223 | GE2GGT53011A000 | GE2GGT53044A000 |  |
|               |    | Psi 6090 | inch 2,56 | 1,16 | 4,41 | 2,62 | 0,55 | 3,29  | 2,17 | 7,09 | 4,45 |         | 0,25 | 0,24 | 1,97 | 0,55 | 0,98 | lb 4,90  |                 |                 |  |
| GE2 G 1 1/4 R | 25 | MPa 35   | mm 65     | 29,5 | 120  | 66,5 | 14   | 83,5  | 55   | 180  | 113  | G 1 1/4 | 6,25 | 6    | 50   | 14   | 25   | kg 2,273 | GE2GGR63011A000 | GE2GGR63044A000 |  |
|               |    | Psi 5075 | inch 2,56 | 1,16 | 4,72 | 2,62 | 0,55 | 3,29  | 2,17 | 7,09 | 4,45 |         | 0,25 | 0,24 | 1,97 | 0,55 | 0,98 | lb 5,01  |                 |                 |  |
| GE2 G 1 1/2 R | 25 | MPa 35   | mm 65     | 29,5 | 124  | 66,5 | 14   | 83,5  | 55   | 180  | 113  | G 1 1/2 | 6,25 | 6    | 50   | 14   | 25   | kg 2,386 | GE2GGR73011A000 | GE2GGR73044A000 |  |
|               |    | Psi 5075 | inch 2,56 | 1,16 | 4,88 | 2,62 | 0,55 | 3,29  | 2,17 | 7,09 | 4,45 |         | 0,25 | 0,24 | 1,97 | 0,55 | 0,98 | lb 5,26  |                 |                 |  |

Size only for carbon steel valves with fixing holes included.

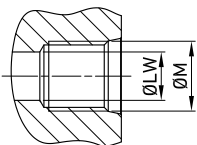
FIXING HOLES INCLUDED


**GE2 ANSI/ASME B1.20.1 NPT**

| TYPE          | DN | PN       | A         | B    | C    | D    | E    | F     | G    | H    | I    | ØM    | ØK*  | W*   | X*   | SW   | ØLW  | WEIGHT   | CS              | SS              |  |
|---------------|----|----------|-----------|------|------|------|------|-------|------|------|------|-------|------|------|------|------|------|----------|-----------------|-----------------|--|
|               |    |          |           |      |      |      |      |       |      |      |      |       |      |      |      |      |      |          | Carbon Steel    | Stainless Steel |  |
|               |    |          |           |      |      |      |      |       |      |      |      |       |      |      |      |      |      |          |                 | ITEM CODE       |  |
| GE2 N 1/4     | 6  | MPa 50   | mm 35     | 14,5 | 71   | 42,4 | 11   | 49    | 30   | 110  | 87   | N 1/4 | 5,25 | 4,5  | 34   | 9    | 6    | kg 0,49  | GE2NNT15011A000 | GE2NNT15044A000 |  |
|               |    | Psi 7250 | inch 1,38 | 0,57 | 2,80 | 1,67 | 0,43 | 1,93  | 1,18 | 4,33 | 3,43 |       | 0,21 | 0,18 | 1,34 | 0,35 | 0,24 | lb 1,08  |                 |                 |  |
| GE2 N 3/8     | 10 | MPa 50   | mm 40     | 17,4 | 73   | 44,4 | 11   | 54,25 | 35   | 110  | 93   | N 3/8 | 5,25 | 4,5  | 34   | 9    | 10   | kg 0,644 | GE2NNT25011A000 | GE2NNT25044A000 |  |
|               |    | Psi 7250 | inch 1,57 | 0,69 | 2,87 | 1,75 | 0,43 | 2,14  | 1,38 | 4,33 | 3,66 |       | 0,21 | 0,18 | 1,34 | 0,35 | 0,39 | lb 1,42  |                 |                 |  |
| GE2 N 1/2     | 13 | MPa 50   | mm 43     | 19,7 | 83   | 48,4 | 11   | 57    | 37   | 110  | 97   | N 1/2 | 5,25 | 5    | 36   | 9    | 13   | kg 0,757 | GE2NNT35011A000 | GE2NNT35044A000 |  |
|               |    | Psi 7250 | inch 1,69 | 0,78 | 3,27 | 1,91 | 0,43 | 2,24  | 1,46 | 4,33 | 3,82 |       | 0,21 | 0,20 | 1,42 | 0,35 | 0,51 | lb 1,67  |                 |                 |  |
| GE2 N 3/4     | 20 | MPa 42   | mm 57     | 25,4 | 95   | 62,5 | 14   | 75,5  | 49   | 180  | 105  | N 3/4 | 6,25 | 6    | 50   | 14   | 20   | kg 1,438 | GE2NNT44011A000 | GE2NNT44044A000 |  |
|               |    | Psi 6090 | inch 2,24 | 1,00 | 3,74 | 2,46 | 0,55 | 2,97  | 1,93 | 7,09 | 4,13 |       | 0,25 | 0,24 | 1,97 | 0,55 | 0,79 | lb 3,17  |                 |                 |  |
| GE2 N 1       | 25 | MPa 42   | mm 65     | 29,5 | 112  | 66,5 | 14   | 83,5  | 55   | 180  | 113  | N 1   | 6,25 | 6    | 50   | 14   | 25   | kg 2,223 | GE2NNT53011A000 | GE2NNT53044A000 |  |
|               |    | Psi 6090 | inch 2,56 | 1,16 | 4,41 | 2,62 | 0,55 | 3,29  | 2,17 | 7,09 | 4,45 |       | 0,25 | 0,24 | 1,97 | 0,55 | 0,98 | lb 4,90  |                 |                 |  |
| GE2 N 1 1/4 R | 25 | MPa 35   | mm 65     | 29,5 | 120  | 66,5 | 14   | 83,5  | 55   | 180  | 113  | N 1   | 6,25 | 6    | 50   | 14   | 25   | kg 2,273 | GE2NNR63011A000 | GE2NNR63044A000 |  |
|               |    | Psi 5075 | inch 2,56 | 1,16 | 4,72 | 2,62 | 0,55 | 3,29  | 2,17 | 7,09 | 4,45 | 1/4   | 0,25 | 0,24 | 1,97 | 0,55 | 0,98 | lb 5,01  |                 |                 |  |
| GE2 N 1 1/2 R | 25 | MPa 35   | mm 65     | 29,5 | 124  | 66,5 | 14   | 83,5  | 55   | 180  | 113  | N 1   | 6,25 | 6    | 50   | 14   | 25   | kg 2,386 | GE2NNR73011A000 | GE2NNR73044A000 |  |
|               |    | Psi 5075 | inch 2,56 | 1,16 | 4,88 | 2,62 | 0,55 | 3,29  | 2,17 | 7,09 | 4,45 | 1/2   | 0,25 | 0,24 | 1,97 | 0,55 | 0,98 | lb 5,26  |                 |                 |  |

Size only for carbon steel valves with fixing holes included.

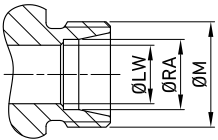
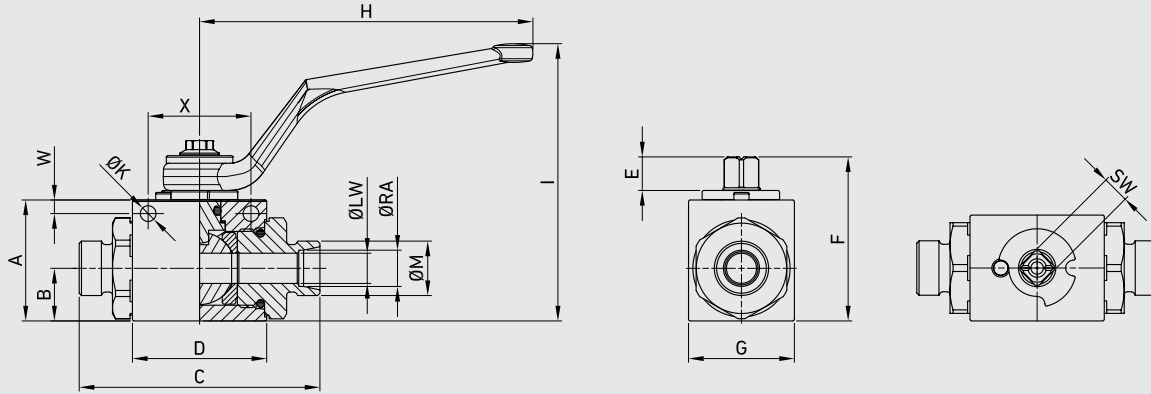
FIXING HOLES INCLUDED


**GE2 SAE J1926-1**

| TYPE       | DN | PN       | A         | B    | C     | D    | E     | F     | G    | H    | I    | ØM     | ØK*  | W*   | X*   | SW   | ØLW  | WEIGHT   | CS              | SS              |  |
|------------|----|----------|-----------|------|-------|------|-------|-------|------|------|------|--------|------|------|------|------|------|----------|-----------------|-----------------|--|
|            |    |          |           |      |       |      |       |       |      |      |      |        |      |      |      |      |      |          | Carbon Steel    | Stainless Steel |  |
|            |    |          |           |      |       |      |       |       |      |      |      |        |      |      |      |      |      |          |                 | ITEM CODE       |  |
| GE2 SAE4   | 6  | MPa 50   | mm 35     | 14,5 | 71    | 42,4 | 11,1  | 49    | 30   | 110  | 87   | 7/16   | 5,25 | 4,5  | 34   | 9    | 6    | kg 0,512 | GE2EEE05011A000 | GE2EEE05044A000 |  |
|            |    | Psi 7250 | inch 1,38 | 0,57 | 2,80  | 1,67 | 0,44  | 1,93  | 1,18 | 4,33 | 3,43 | UNF    | 0,21 | 0,18 | 1,34 | 0,35 | 0,24 | lb 1,13  |                 |                 |  |
| GE2 SAE6   | 10 | MPa 50   | mm 40     | 17,5 | 73    | 44,4 | 11,1  | 54,25 | 35   | 110  | 93   | 9/16   | 5,25 | 4,5  | 34   | 9    | 10   | kg 0,5   | GE2EEE15011A000 | GE2EEE15044A000 |  |
|            |    | Psi 7250 | inch 1,57 | 0,69 | 2,87  | 1,75 | 0,44  | 2,14  | 1,38 | 4,33 | 3,66 | UNF    | 0,21 | 0,18 | 1,34 | 0,35 | 0,39 | lb 1,10  |                 |                 |  |
| GE2 SAE8   | 13 | MPa 50   | mm 43     | 19,7 | 83    | 48,4 | 11,1  | 57,25 | 37   | 110  | 97   | 3/4    | 5,25 | 5    | 36   | 9    | 13   | kg 0,779 | GE2EEE25011A000 | GE2EEE25044A000 |  |
|            |    | Psi 7250 | inch 1,69 | 0,78 | 3,27  | 1,91 | 0,44  | 2,25  | 1,46 | 4,33 | 3,82 | UNF    | 0,21 | 0,20 | 1,42 | 0,35 | 0,51 | lb 1,72  |                 |                 |  |
| GE2 SAE12  | 20 | MPa 42   | mm 57     | 25,4 | 95    | 62,5 | 14,35 | 75,5  | 49   | 180  | 105  | 1 1/16 | 6,25 | 6    | 50   | 14   | 20   | kg 1,441 | GE2EEE34011A000 | GE2EEE34044A000 |  |
|            |    | Psi 6090 | inch 2,24 | 1,00 | 3,74  | 2,46 | 0,56  | 2,97  | 1,93 | 7,09 | 4,13 | UNF    | 0,25 | 0,24 | 1,97 | 0,55 | 0,79 | lb 3,18  |                 |                 |  |
| GE2 SAE16  | 25 | MPa 42   | mm 65     | 29,5 | 112,4 | 66,5 | 14,35 | 83,5  | 55   | 180  | 113  | 1 5/16 | 6,25 | 6    | 50   | 14   | 25   | kg 2,335 | GE2EEE43011A000 | GE2EEE43044A000 |  |
|            |    | Psi 6090 | inch 2,56 | 1,16 | 4,43  | 2,62 | 0,56  | 3,29  | 2,17 | 7,09 | 4,45 | UNF    | 0,25 | 0,24 | 1,97 | 0,55 | 0,98 | lb 5,15  |                 |                 |  |
| GE2 SAE20R | 25 | MPa 35   | mm 65     | 29,5 | 120,4 | 66,5 | 14,35 | 83,5  | 55   | 180  | 113  | 1 5/8  | 6,25 | 6    | 50   | 14   | 25   | kg 2,307 | GE2EEE53011A000 | GE2EEE53044A000 |  |
|            |    | Psi 5075 | inch 2,56 | 1,16 | 4,74  | 2,62 | 0,56  | 3,29  | 2,17 | 7,09 | 4,45 | UNF    | 0,25 | 0,24 | 1,97 | 0,55 | 0,98 | lb 5,09  |                 |                 |  |
| GE2 SAE24R | 25 | MPa 35   | mm 65     | 29,5 | 124,4 | 66,5 | 14,35 | 83,5  | 55   | 180  | 113  | 1 7/8  | 6,25 | 6    | 50   | 14   | 25   | kg 2,399 | GE2EEE63011A000 | GE2EEE63044A000 |  |
|            |    | Psi 5075 | inch 2,56 | 1,16 | 4,90  | 2,62 | 0,56  | 3,29  | 2,17 | 7,09 | 4,45 | UNF    | 0,25 | 0,24 | 1,97 | 0,55 | 0,98 | lb 5,29  |                 |                 |  |

Size only for carbon steel valves with fixing holes included.

FIXING HOLES INCLUDED

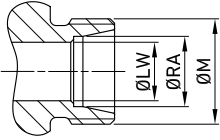


GE2 DIN 2353 HEAVY SERIES

| TYPE    | DN | PN       | A         | B    | C    | D    | E    | F     | G    | H    | I    | ØM      | ØK*  | W*   | X*   | SW   | ØLW  | ØRA  | WEIGHT   | ITEM CODE       |                 |
|---------|----|----------|-----------|------|------|------|------|-------|------|------|------|---------|------|------|------|------|------|------|----------|-----------------|-----------------|
|         |    |          |           |      |      |      |      |       |      |      |      |         |      |      |      |      |      |      |          | CS              | SS              |
| GE2 8S  | 6  | MPa 50   | mm 35     | 14,5 | 76   | 42,4 | 11,1 | 49,25 | 30   | 110  | 87   | M16x1,5 | 5,25 | 4,5  | 34   | 9    | 4    | 8    | kg 0,501 | GE2DDS05011A000 | GE2DDS05044A000 |
|         |    | Psi 7250 | inch 1,38 | 0,57 | 2,99 | 1,67 | 0,44 | 1,94  | 1,18 | 4,33 | 3,43 |         | 0,21 | 0,18 | 1,34 | 0,35 | 0,16 | 0,31 | lb 1,10  |                 |                 |
| GE2 10S | 6  | MPa 50   | mm 35     | 14,5 | 76   | 42,4 | 11,1 | 49,25 | 30   | 110  | 87   | M18x1,5 | 5,25 | 4,5  | 34   | 9    | 6    | 10   | kg 0,501 | GE2DDS15011A000 | GE2DDS15044A000 |
|         |    | Psi 7250 | inch 1,38 | 0,57 | 2,99 | 1,67 | 0,44 | 1,94  | 1,18 | 4,33 | 3,43 |         | 0,21 | 0,18 | 1,34 | 0,35 | 0,24 | 0,39 | lb 1,10  |                 |                 |
| GE2 12S | 8  | MPa 50   | mm 35     | 14,5 | 76   | 42,4 | 11   | 49,25 | 30   | 110  | 87   | M20x1,5 | 5,25 | 4,5  | 34   | 9    | 8    | 12   | kg 0,501 | GE2DRS5011A000  | GE2DRS5044A000  |
|         |    | Psi 7250 | inch 1,38 | 0,57 | 2,99 | 1,67 | 0,43 | 1,94  | 1,18 | 4,33 | 3,43 |         | 0,21 | 0,18 | 1,34 | 0,35 | 0,31 | 0,47 | lb 1,10  |                 |                 |
| GE2 12S | 10 | MPa 50   | mm 40     | 17,4 | 76   | 44,4 | 11   | 54,25 | 35   | 110  | 93   | M20x1,5 | 5,25 | 4,5  | 34   | 9    | 10   | 12   | kg 0,599 | GE2DDS25011A000 | GE2DDS25044A000 |
|         |    | Psi 7250 | inch 1,57 | 0,69 | 2,99 | 1,75 | 0,43 | 2,14  | 1,38 | 4,33 | 3,66 |         | 0,21 | 0,18 | 1,34 | 0,35 | 0,39 | 0,47 | lb 1,32  |                 |                 |
| GE2 14S | 10 | MPa 50   | mm 40     | 17,4 | 82,5 | 44,4 | 11   | 54,25 | 35   | 110  | 93   | M22x1,5 | 5,25 | 4,5  | 34   | 9    | 10   | 14   | kg 0,629 | GE2DDS35011A000 | GE2DDS35044A000 |
|         |    | Psi 7250 | inch 1,57 | 0,69 | 3,25 | 1,75 | 0,43 | 2,14  | 1,38 | 4,33 | 3,66 |         | 0,21 | 0,18 | 1,34 | 0,35 | 0,39 | 0,55 | lb 1,39  |                 |                 |
| GE2 16S | 13 | MPa 50   | mm 43     | 19,7 | 89   | 48,4 | 11   | 57    | 37   | 110  | 97   | M24x1,5 | 5,25 | 5    | 36   | 9    | 13   | 16   | kg 0,67  | GE2DDS45011A000 | GE2DDS45044A000 |
|         |    | Psi 7250 | inch 1,69 | 0,78 | 3,50 | 1,91 | 0,43 | 2,24  | 1,46 | 4,33 | 3,82 |         | 0,21 | 0,20 | 1,42 | 0,35 | 0,51 | 0,63 | lb 1,48  |                 |                 |
| GE2 20S | 13 | MPa 50   | mm 43     | 19,7 | 93   | 48,4 | 11   | 57    | 37   | 110  | 97   | M30x2   | 5,25 | 5    | 36   | 9    | 13   | 20   | kg 0,786 | GE2DDS55011A000 | GE2DDS55044A000 |
|         |    | Psi 7250 | inch 1,69 | 0,78 | 3,66 | 1,91 | 0,43 | 2,24  | 1,46 | 4,33 | 3,82 |         | 0,21 | 0,20 | 1,42 | 0,35 | 0,51 | 0,79 | lb 1,73  |                 |                 |
| GE2 25S | 20 | MPa 40   | mm 57     | 25,4 | 111  | 62,5 | 14   | 75,5  | 49   | 180  | 105  | M36x2   | 6,25 | 6    | 50   | 14   | 20   | 25   | kg 1,485 | GE2DDS64011A000 | GE2DDS64044A000 |
|         |    | Psi 5800 | inch 2,24 | 1,00 | 4,37 | 2,46 | 0,55 | 2,97  | 1,93 | 7,09 | 4,13 |         | 0,25 | 0,24 | 1,97 | 0,55 | 0,79 | 0,98 | lb 3,27  |                 |                 |
| GE2 30S | 25 | MPa 35   | mm 65     | 29,5 | 121  | 66,5 | 14   | 83,5  | 55   | 180  | 113  | M42x2   | 6,25 | 6    | 50   | 14   | 25   | 30   | kg 2,145 | GE2DDS73011A000 | GE2DDS73044A000 |
|         |    | Psi 5075 | inch 2,56 | 1,16 | 4,76 | 2,62 | 0,55 | 3,29  | 2,17 | 7,09 | 4,45 |         | 0,25 | 0,24 | 1,97 | 0,55 | 0,98 | 1,18 | lb 4,73  |                 |                 |
| GE2 38S | 25 | MPa 35   | mm 65     | 29,5 | 131  | 66,5 | 14   | 83,5  | 55   | 180  | 113  | M52x2   | 6,25 | 6    | 50   | 14   | 25   | 38   | kg 2,373 | GE2DDS83011A000 | GE2DDS83044A000 |
|         |    | Psi 5075 | inch 2,56 | 1,16 | 5,16 | 2,62 | 0,55 | 3,29  | 2,17 | 7,09 | 4,45 |         | 0,25 | 0,24 | 1,97 | 0,55 | 0,98 | 1,50 | lb 5,23  |                 |                 |

Size only for carbon steel valves with fixing holes included.

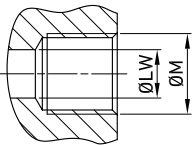
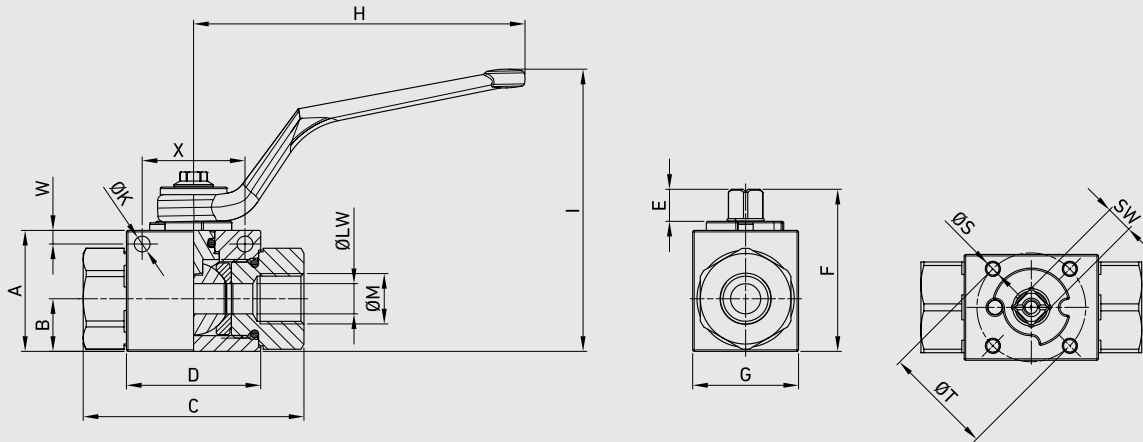
FIXING HOLES INCLUDED


**GE2 DIN 2353 LIGHT SERIES**

| TYPE    | DN | PN       | A    | B    | C    | D    | E    | F    | G     | H    | I    | ØM   | ØK*     | W*   | X*   | SW   | ØLW  | ØRA  | WEIGHT | CS           | SS              |                 |
|---------|----|----------|------|------|------|------|------|------|-------|------|------|------|---------|------|------|------|------|------|--------|--------------|-----------------|-----------------|
|         |    |          |      |      |      |      |      |      |       |      |      |      |         |      |      |      |      |      |        | Carbon Steel | Stainless Steel |                 |
|         |    |          |      |      |      |      |      |      |       |      |      |      |         |      |      |      |      |      |        |              | ITEM CODE       |                 |
| GE2 6L  | 6  | MPa 50   | mm   | 35   | 14,5 | 76   | 42,4 | 11   | 49    | 30   | 110  | 87   | M12x1,5 | 5,25 | 4,5  | 34   | 9    | 6    | 6      | kg 0,475     | GE2DDL05011A000 | GE2DDL05044A000 |
|         |    | Psi 7250 | inch | 1,38 | 0,57 | 2,99 | 1,67 | 0,43 | 1,93  | 1,18 | 4,33 | 3,43 |         | 0,21 | 0,18 | 1,34 | 0,35 | 0,24 | 0,24   | lb 1,05      |                 |                 |
| GE2 8L  | 6  | MPa 50   | mm   | 35   | 14,5 | 76   | 42,4 | 11   | 49    | 30   | 110  | 87   | M14x1,5 | 5,25 | 4,5  | 34   | 9    | 6    | 8      | kg 0,477     | GE2DDL15011A000 | GE2DDL15044A000 |
|         |    | Psi 7250 | inch | 1,38 | 0,57 | 2,99 | 1,67 | 0,43 | 1,93  | 1,18 | 4,33 | 3,43 |         | 0,21 | 0,18 | 1,34 | 0,35 | 0,24 | 0,31   | lb 1,05      |                 |                 |
| GE2 10L | 6  | MPa 50   | mm   | 35   | 14,5 | 76   | 42,4 | 11   | 49    | 30   | 110  | 87   | M16x1,5 | 5,25 | 4,5  | 34   | 9    | 6    | 10     | kg 0,475     | GE2DRL5011A000  | GE2DRL5044A000  |
|         |    | Psi 7250 | inch | 1,38 | 0,57 | 2,99 | 1,67 | 0,43 | 1,93  | 1,18 | 4,33 | 3,43 |         | 0,21 | 0,18 | 1,34 | 0,35 | 0,24 | 0,39   | lb 1,05      |                 |                 |
| GE2 10L | 10 | MPa 50   | mm   | 40   | 17,4 | 76,5 | 44,4 | 11   | 54,25 | 35   | 110  | 93   | M16x1,5 | 5,25 | 4,5  | 34   | 9    | 8    | 10     | kg 0,597     | GE2DDL25011A000 | GE2DDL25044A000 |
|         |    | Psi 7250 | inch | 1,57 | 0,69 | 3,01 | 1,75 | 0,43 | 2,14  | 1,38 | 4,33 | 3,66 |         | 0,21 | 0,18 | 1,34 | 0,35 | 0,31 | 0,39   | lb 1,32      |                 |                 |
| GE2 12L | 10 | MPa 50   | mm   | 40   | 17,4 | 79,5 | 44,4 | 11   | 54,25 | 35   | 110  | 93   | M18x1,5 | 5,25 | 4,5  | 34   | 9    | 10   | 12     | kg 0,616     | GE2DDL35011A000 | GE2DDL35044A000 |
|         |    | Psi 7250 | inch | 1,57 | 0,69 | 3,13 | 1,75 | 0,43 | 2,14  | 1,38 | 4,33 | 3,66 |         | 0,21 | 0,18 | 1,34 | 0,35 | 0,39 | 0,47   | lb 1,36      |                 |                 |
| GE2 15L | 13 | MPa 50   | mm   | 43   | 19,7 | 87   | 48,4 | 11   | 57    | 37   | 110  | 97   | M22x1,5 | 5,25 | 5    | 36   | 9    | 13   | 15     | kg 0,731     | GE2DDL45011A000 | GE2DDL45044A000 |
|         |    | Psi 7250 | inch | 1,69 | 0,78 | 3,43 | 1,91 | 0,43 | 2,24  | 1,46 | 4,33 | 3,82 |         | 0,21 | 0,20 | 1,42 | 0,35 | 0,51 | 0,59   | lb 1,61      |                 |                 |
| GE2 18L | 13 | MPa 50   | mm   | 43   | 19,7 | 87   | 48,4 | 11   | 57    | 37   | 110  | 97   | M26x1,5 | 5,25 | 5    | 36   | 9    | 13   | 18     | kg 0,748     | GE2DDL55011A000 | GE2DDL55044A000 |
|         |    | Psi 7250 | inch | 1,69 | 0,78 | 3,43 | 1,91 | 0,43 | 2,24  | 1,46 | 4,33 | 3,82 |         | 0,21 | 0,20 | 1,42 | 0,35 | 0,51 | 0,71   | lb 1,65      |                 |                 |
| GE2 22L | 20 | MPa 40   | mm   | 57   | 25,4 | 110  | 62,5 | 14   | 75,5  | 49   | 180  | 105  | M30x2   | 6,25 | 6    | 50   | 14   | 20   | 22     | kg 1,463     | GE2DDL64011A000 | GE2DDL64044A000 |
|         |    | Psi 5800 | inch | 2,24 | 1,00 | 4,33 | 2,46 | 0,55 | 2,97  | 1,93 | 7,09 | 4,13 |         | 0,25 | 0,24 | 1,97 | 0,55 | 0,79 | 0,87   | lb 3,23      |                 |                 |
| GE2 28L | 25 | MPa 35   | mm   | 65   | 29,5 | 117  | 66,5 | 14   | 83,5  | 55   | 180  | 113  | M36x2   | 6,25 | 6    | 50   | 14   | 25   | 28     | kg 2,131     | GE2DDL73011A000 | GE2DDL73044A000 |
|         |    | Psi 5075 | inch | 2,56 | 1,16 | 4,61 | 2,62 | 0,55 | 3,29  | 2,17 | 7,09 | 4,45 |         | 0,25 | 0,24 | 1,97 | 0,55 | 0,98 | 1,10   | lb 4,70      |                 |                 |
| GE2 35L | 25 | MPa 35   | mm   | 65   | 29,5 | 119  | 66,5 | 14   | 83,5  | 55   | 180  | 113  | M45x2   | 6,25 | 6    | 50   | 14   | 25   | 35     | kg 2,163     | GE2DDL83011A000 | GE2DDL83044A000 |
|         |    | Psi 5075 | inch | 2,56 | 1,16 | 4,69 | 2,62 | 0,55 | 3,29  | 2,17 | 7,09 | 4,45 |         | 0,25 | 0,24 | 1,97 | 0,55 | 0,98 | 1,38   | lb 4,77      |                 |                 |
| GE2 42L | 25 | MPa 35   | mm   | 65   | 29,5 | 119  | 66,5 | 14   | 83,5  | 55   | 180  | 113  | M52x2   | 6,25 | 6    | 50   | 14   | 25   | 42     | kg 2,256     | GE2DDL93011A000 | GE2DDL93044A000 |
|         |    | Psi 5075 | inch | 2,56 | 1,16 | 4,69 | 2,62 | 0,55 | 3,29  | 2,17 | 7,09 | 4,45 |         | 0,25 | 0,24 | 1,97 | 0,55 | 0,98 | 1,65   | lb 4,97      |                 |                 |

Size only for carbon steel valves with fixing holes included.

**FIXING HOLES INCLUDED**



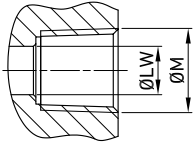
GE2 DIN/ISO 228 BSP

Assembling threads per ISO5211

| TYPE          | DN | PN       | A   | B   | C  | D                   | E   | F         | G        | H               | I               | ØM | ØS | ØT | ØK* | W* | X* | ISO5211 | SW | ØLW | WEIGHT | ITEM CODE |    |
|---------------|----|----------|---|-----|----|---------------------|-----|-----------|----------|-----------------|-----------------|----|----|----|-----|----|----|---------|----|-----|--------|-----------|----|
|               |    |          |   |     |    |                     |     |           |          |                 |                 |    |    |    |     |    |    |         |    |     |        | CS        | SS |
| GE2 G 1/4     | 6  | MPa 50   | mm 35 14,5 71 42,4 11 49 30 110 87                | G   | M4 | 35 5,25 4,5 34      | F03 | 9 6       | kg 0,49  | GE2GGT15011AF50 | GE2GGT15044AF50 |    |    |    |     |    |    |         |    |     |        |           |    |
|               |    | Psi 7250 | inch 1,38 0,57 2,80 1,67 0,43 1,93 1,18 4,33 3,43 | 1/4 | M4 | 1,38 0,21 0,18 1,34 | F03 | 0,35 0,24 | lb 1,08  |                 |                 |    |    |    |     |    |    |         |    |     |        |           |    |
| GE2 G 3/8     | 10 | MPa 50   | mm 40 17,4 73 44,4 11 54,25 35 110 93             | G   | M5 | 36 5,25 4,5 34      | F03 | 9 10      | kg 0,644 | GE2GGT25011AF50 | GE2GGT25044AF50 |    |    |    |     |    |    |         |    |     |        |           |    |
|               |    | Psi 7250 | inch 1,57 0,69 2,87 1,75 0,43 2,14 1,38 4,33 3,66 | 3/8 | M5 | 1,42 0,21 0,18 1,34 | F03 | 0,35 0,39 | lb 1,42  |                 |                 |    |    |    |     |    |    |         |    |     |        |           |    |
| GE2 G 1/2     | 13 | MPa 50   | mm 43 19,7 83 48,4 11 57 37 110 97                | G   | M5 | 36 5,25 5 36        | F03 | 9 13      | kg 0,757 | GE2GGT35011AF50 | GE2GGT35044AF50 |    |    |    |     |    |    |         |    |     |        |           |    |
|               |    | Psi 7250 | inch 1,69 0,78 3,27 1,91 0,43 2,24 1,46 4,33 3,82 | 1/2 | M5 | 1,42 0,21 0,20 1,42 | F03 | 0,35 0,51 | lb 1,67  |                 |                 |    |    |    |     |    |    |         |    |     |        |           |    |
| GE2 G 3/4     | 20 | MPa 42   | mm 57 25,4 95 62,5 14 75,5 49 180 105             | G   | M6 | 50 6,25 6 50        | F05 | 14 20     | kg 1,438 | GE2GGT44011AF50 | GE2GGT44044AF50 |    |    |    |     |    |    |         |    |     |        |           |    |
|               |    | Psi 6090 | inch 2,24 1,00 3,74 2,46 0,55 2,97 1,93 7,09 4,13 | 3/4 | M6 | 1,97 0,25 0,24 1,97 | F05 | 0,55 0,79 | lb 3,17  |                 |                 |    |    |    |     |    |    |         |    |     |        |           |    |
| GE2 G 1       | 25 | MPa 42   | mm 65 29,5 112 66,5 14 83,5 55 180 113            | G 1 | M6 | 50 6,25 6 50        | F05 | 14 25     | kg 2,223 | GE2GGT53011AF50 | GE2GGT53044AF50 |    |    |    |     |    |    |         |    |     |        |           |    |
|               |    | Psi 6090 | inch 2,56 1,16 4,41 2,62 0,55 3,29 2,17 7,09 4,45 | G 1 | M6 | 1,97 0,25 0,24 1,97 | F05 | 0,55 0,98 | lb 4,90  |                 |                 |    |    |    |     |    |    |         |    |     |        |           |    |
| GE2 G 1 1/4 R | 25 | MPa 35   | mm 65 29,5 120 66,5 14 83,5 55 180 113            | G 1 | M6 | 50 6,25 6 50        | F05 | 14 25     | kg 2,273 | GE2GGR63011AF50 | GE2GGR63044AF50 |    |    |    |     |    |    |         |    |     |        |           |    |
|               |    | Psi 5075 | inch 2,56 1,16 4,72 2,62 0,55 3,29 2,17 7,09 4,45 | 1/4 | M6 | 1,97 0,25 0,24 1,97 | F05 | 0,55 0,98 | lb 5,01  |                 |                 |    |    |    |     |    |    |         |    |     |        |           |    |
| GE2 G 1 1/2 R | 25 | MPa 35   | mm 65 29,5 124 66,5 14 83,5 55 180 113            | G 1 | M6 | 50 6,25 6 50        | F05 | 14 25     | kg 2,386 | GE2GGR73011AF50 | GE2GGR73044AF50 |    |    |    |     |    |    |         |    |     |        |           |    |
|               |    | Psi 5075 | inch 2,56 1,16 4,88 2,62 0,55 3,29 2,17 7,09 4,45 | 1/2 | M6 | 1,97 0,25 0,24 1,97 | F05 | 0,55 0,98 | lb 5,26  |                 |                 |    |    |    |     |    |    |         |    |     |        |           |    |

Size only for carbon steel valves with fixing holes included.

FIXING HOLES INCLUDED



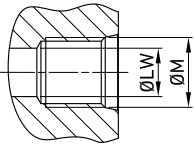
## GE2 ANSI/ASME B1.20.1 NPT

Assembling threads per ISO5211

| TYPE          | DN | PN       | A   | B  | C    | D    | E    | F    | G   | H  | I  | ØM       | ØS              | ØT              | ØK*  | W*   | X*      | ISO5211 | SW | ØLW | WEIGHT | CS           | SS              |  |
|---------------|----|----------|---|----|------|------|------|------|-----|----|----|----------|-----------------|-----------------|------|------|---------|---------|----|-----|--------|--------------|-----------------|--|
|               |    |          |   |    |      |      |      |      |     |    |    |          |                 |                 |      |      |         |         |    |     |        | Carbon Steel | Stainless Steel |  |
|               |    |          |   |    |      |      |      |      |     |    |    |          |                 |                 |      |      |         |         |    |     |        |              | ITEM CODE       |  |
| GE2 N 1/4     | 6  | MPa 50   | mm 35 14,5 71 42,4 11 49 30 110 87                | N  | 35   | 5,25 | 4,5  | 34   | F03 | 9  | 6  | kg 0,49  | GE2NNT15011AF50 | GE2NNT15044AF50 |      |      |         |         |    |     |        |              |                 |  |
|               |    | Psi 7250 | inch 1,38 0,57 2,80 1,67 0,43 1,93 1,18 4,33 3,43 | M4 | 1,38 | 0,21 | 0,18 | 1,34 |     |    |    |          |                 |                 | 0,35 | 0,24 | lb 1,08 |         |    |     |        |              |                 |  |
| GE2 N 3/8     | 10 | MPa 50   | mm 40 17,4 73 44,4 11 54,25 35 110 93             | N  | 36   | 5,25 | 4,5  | 34   | F03 | 9  | 10 | kg 0,644 | GE2NNT25011AF50 | GE2NNT25044AF50 |      |      |         |         |    |     |        |              |                 |  |
|               |    | Psi 7250 | inch 1,57 0,69 2,87 1,75 0,43 2,14 1,38 4,33 3,66 | M5 | 1,42 | 0,21 | 0,18 | 1,34 |     |    |    |          |                 |                 | 0,35 | 0,39 | lb 1,42 |         |    |     |        |              |                 |  |
| GE2 N 1/2     | 13 | MPa 50   | mm 43 19,7 83 48,4 11 57 37 110 97                | N  | 36   | 5,25 | 5    | 36   | F03 | 9  | 13 | kg 0,757 | GE2NNT35011AF50 | GE2NNT35044AF50 |      |      |         |         |    |     |        |              |                 |  |
|               |    | Psi 7250 | inch 1,69 0,78 3,27 1,91 0,43 2,24 1,46 4,33 3,82 | M5 | 1,42 | 0,21 | 0,20 | 1,42 |     |    |    |          |                 |                 | 0,35 | 0,51 | lb 1,67 |         |    |     |        |              |                 |  |
| GE2 N 3/4     | 20 | MPa 42   | mm 57 25,4 95 62,5 14 75,5 49 180 105             | N  | 50   | 6,25 | 6    | 50   | F05 | 14 | 20 | kg 1,438 | GE2NNT44011AF50 | GE2NNT44044AF50 |      |      |         |         |    |     |        |              |                 |  |
|               |    | Psi 6090 | inch 2,24 1,00 3,74 2,46 0,55 2,97 1,93 7,09 4,13 | M6 | 1,97 | 0,25 | 0,24 | 1,97 |     |    |    |          |                 |                 | 0,55 | 0,79 | lb 3,17 |         |    |     |        |              |                 |  |
| GE2 N 1       | 25 | MPa 42   | mm 65 29,5 112 66,5 14 83,5 55 180 113            | N1 | 50   | 6,25 | 6    | 50   | F05 | 14 | 25 | kg 2,223 | GE2NNT53011AF50 | GE2NNT53044AF50 |      |      |         |         |    |     |        |              |                 |  |
|               |    | Psi 6090 | inch 2,56 1,16 4,41 2,62 0,55 3,29 2,17 7,09 4,45 | M6 | 1,97 | 0,25 | 0,24 | 1,97 |     |    |    |          |                 |                 | 0,55 | 0,98 | lb 4,90 |         |    |     |        |              |                 |  |
| GE2 N 1 1/4 R | 25 | MPa 35   | mm 65 29,5 120 66,5 14 83,5 55 180 113            | N1 | 50   | 6,25 | 6    | 50   | F05 | 14 | 25 | kg 2,273 | GE2NNR63011AF50 | GE2NNR63044AF50 |      |      |         |         |    |     |        |              |                 |  |
|               |    | Psi 5075 | inch 2,56 1,16 4,72 2,62 0,55 3,29 2,17 7,09 4,45 | M6 | 1,97 | 0,25 | 0,24 | 1,97 |     |    |    |          |                 |                 | 0,55 | 0,98 | lb 5,01 |         |    |     |        |              |                 |  |
| GE2 N 1 1/2 R | 25 | MPa 35   | mm 65 29,5 124 66,5 14 83,5 55 180 113            | N1 | 50   | 6,25 | 6    | 50   | F05 | 14 | 25 | kg 2,386 | GE2NNR73011AF50 | GE2NNR73044AF50 |      |      |         |         |    |     |        |              |                 |  |
|               |    | Psi 5075 | inch 2,56 1,16 4,88 2,62 0,55 3,29 2,17 7,09 4,45 | M6 | 1,97 | 0,25 | 0,24 | 1,97 |     |    |    |          |                 |                 | 0,55 | 0,98 | lb 5,26 |         |    |     |        |              |                 |  |

Size only for carbon steel valves with fixing holes included.

FIXING HOLES INCLUDED



## GE2 SAE J1926-1

Assembling threads per ISO5211

| TYPE       | DN | PN       | A   | B      | C    | D    | E    | F    | G   | H  | I  | ØM       | ØS              | ØT              | ØK*  | W*   | X*      | ISO5211 | SW | ØLW | WEIGHT | CS           | SS              |  |
|------------|----|----------|---|--------|------|------|------|------|-----|----|----|----------|-----------------|-----------------|------|------|---------|---------|----|-----|--------|--------------|-----------------|--|
|            |    |          |   |        |      |      |      |      |     |    |    |          |                 |                 |      |      |         |         |    |     |        | Carbon Steel | Stainless Steel |  |
|            |    |          |   |        |      |      |      |      |     |    |    |          |                 |                 |      |      |         |         |    |     |        |              | ITEM CODE       |  |
| GE2 SAE4   | 6  | MPa 50   | mm 35 14,5 71 42,4 11,1 49 30 110 87              | 7/16   | 35   | 5,25 | 4,5  | 34   | F03 | 9  | 6  | kg 0,512 | GE2EEE05011AF50 | GE2EEE05044AF50 |      |      |         |         |    |     |        |              |                 |  |
|            |    | Psi 7250 | inch 1,38 0,57 2,80 1,67 0,44 1,93 1,18 4,33 3,43 | UNF    | 1,38 | 0,21 | 0,18 | 1,34 |     |    |    |          |                 |                 | 0,35 | 0,24 | lb 1,13 |         |    |     |        |              |                 |  |
| GE2 SAE6   | 10 | MPa 50   | mm 40 17,5 73 44,8 11,1 54,25 35 110 93           | 9/16   | 35   | 5,25 | 4,5  | 34   | F03 | 9  | 10 | kg 0,5   | GE2EEE15011AF50 | GE2EEE15044AF50 |      |      |         |         |    |     |        |              |                 |  |
|            |    | Psi 7250 | inch 1,57 0,69 2,87 1,76 0,44 2,14 1,38 4,33 3,66 | UNF    | 1,38 | 0,21 | 0,18 | 1,34 |     |    |    |          |                 |                 | 0,35 | 0,39 | lb 1,10 |         |    |     |        |              |                 |  |
| GE2 SAE8   | 13 | MPa 50   | mm 43 19,7 83 48,4 11,1 57,25 37 110 97           | 3/4    | 36   | 5,25 | 5    | 36   | F03 | 9  | 13 | kg 0,779 | GE2EEE25011AF50 | GE2EEE25044AF50 |      |      |         |         |    |     |        |              |                 |  |
|            |    | Psi 7250 | inch 1,69 0,78 3,27 1,91 0,44 2,25 1,46 4,33 3,82 | UNF    | 1,42 | 0,21 | 0,20 | 1,42 |     |    |    |          |                 |                 | 0,35 | 0,51 | lb 1,72 |         |    |     |        |              |                 |  |
| GE2 SAE12  | 20 | MPa 50   | mm 57 25,4 95 62,5 14,35 75,5 49 180 105          | 1 1/16 | 36   | 6,25 | 6    | 50   | F05 | 14 | 20 | kg 1,441 | GE2EEE34011AF50 | GE2EEE34044AF50 |      |      |         |         |    |     |        |              |                 |  |
|            |    | Psi 7250 | inch 2,24 1,00 3,74 2,46 0,56 2,97 1,93 7,09 4,13 | UNF    | 1,42 | 0,25 | 0,24 | 1,97 |     |    |    |          |                 |                 | 0,55 | 0,79 | lb 3,18 |         |    |     |        |              |                 |  |
| GE2 SAE16  | 25 | MPa 42   | mm 65 29,5 112,4 66,5 14,35 83,5 55 180 113       | 1 5/16 | 50   | 6,25 | 6    | 50   | F05 | 14 | 25 | kg 2,335 | GE2EEE43011AF50 | GE2EEE43044AF50 |      |      |         |         |    |     |        |              |                 |  |
|            |    | Psi 6090 | inch 2,56 1,16 4,43 2,62 0,56 3,29 2,17 7,09 4,45 | UNF    | 1,97 | 0,25 | 0,24 | 1,97 |     |    |    |          |                 |                 | 0,55 | 0,98 | lb 5,15 |         |    |     |        |              |                 |  |
| GE2 SAE20R | 25 | MPa 35   | mm 65 29,5 120,4 66,5 14,35 83,5 55 180 113       | 1 5/8  | 50   | 6,25 | 6    | 50   | F05 | 14 | 25 | kg 2,307 | GE2EEE53011AF50 | GE2EEE53044AF50 |      |      |         |         |    |     |        |              |                 |  |
|            |    | Psi 5075 | inch 2,56 1,16 4,74 2,62 0,56 3,29 2,17 7,09 4,45 | UNF    | 1,97 | 0,25 | 0,24 | 1,97 |     |    |    |          |                 |                 | 0,55 | 0,98 | lb 5,09 |         |    |     |        |              |                 |  |
| GE2 SAE24R | 25 | MPa 35   | mm 65 29,5 124,4 66,5 14,35 83,5 55 180 113       | 1 7/8  | 50   | 6,25 | 6    | 50   | F05 | 14 | 25 | kg 2,399 | GE2EEE63011AF50 | GE2EEE63044AF50 |      |      |         |         |    |     |        |              |                 |  |
|            |    | Psi 5075 | inch 2,56 1,16 4,90 2,62 0,56 3,29 2,17 7,09 4,45 | UNF    | 1,97 | 0,25 | 0,24 | 1,97 |     |    |    |          |                 |                 | 0,55 | 0,98 | lb 5,29 |         |    |     |        |              |                 |  |

Size only for carbon steel valves with fixing holes included.

FIXING HOLES INCLUDED